

# PRODUCT INFORMATION PACKET

Model No: 5KH33GNA444X

Catalog No: H683

1/3 HP Carbonator Pump Motor, 1 phase, 1800 RPM, 100-120/200-240 V, 48Y Frame, ODP  
Carbonator Pump Motors



Regal and Marathon are trademarks of Regal Beloit Corporation or one of its affiliated companies.  
©2020 Regal Beloit Corporation, All Rights Reserved. MC017097E

REGAL

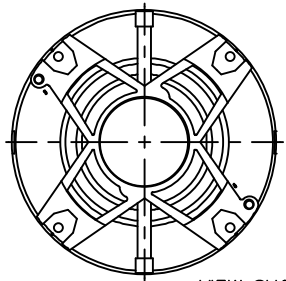
### Nameplate Specifications

Output HP	0.33 Hp	Output KW	0.25 kW
Frequency	60 Hz	Voltage	100-120/200-240 V
Current	5.5-5.6,2.7-2.8 A	Speed	1725/1425 rpm
Service Factor	1	Phase	1
Efficiency	62 %	Power Factor	0
Duty	Continuous	Insulation Class	B
KVA Code	L	Frame	48Y
Enclosure	Drip Proof	Thermal Protection	AUTO
Ambient Temperature	40 °C	Drive End Bearing Size	6203
Opp Drive End Bearing Size	6203	UL	Recognized
CSA	Yes	CE	N

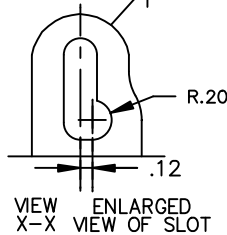
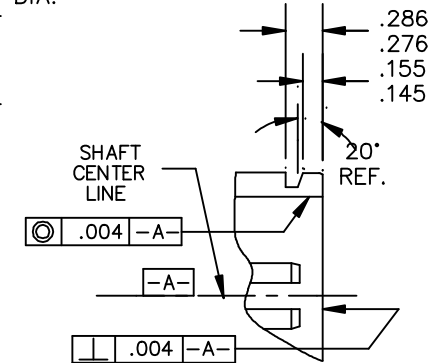
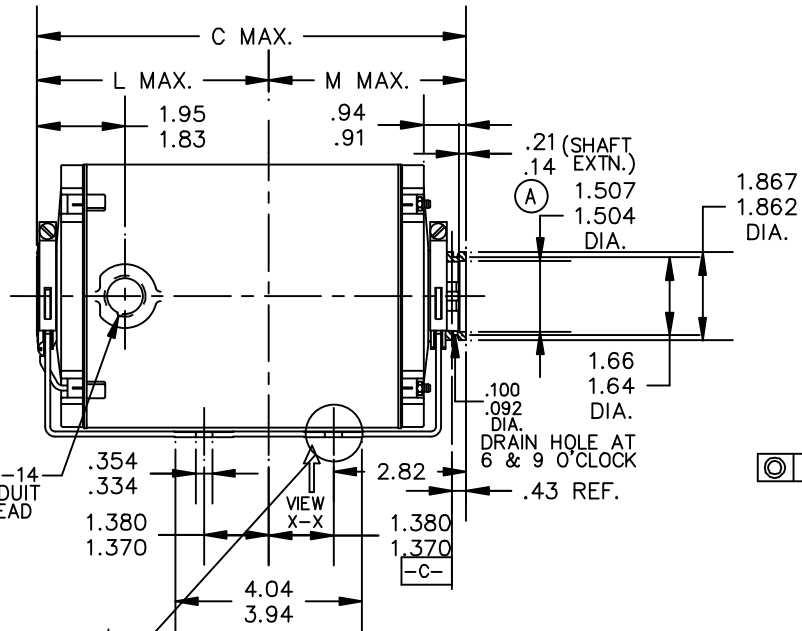
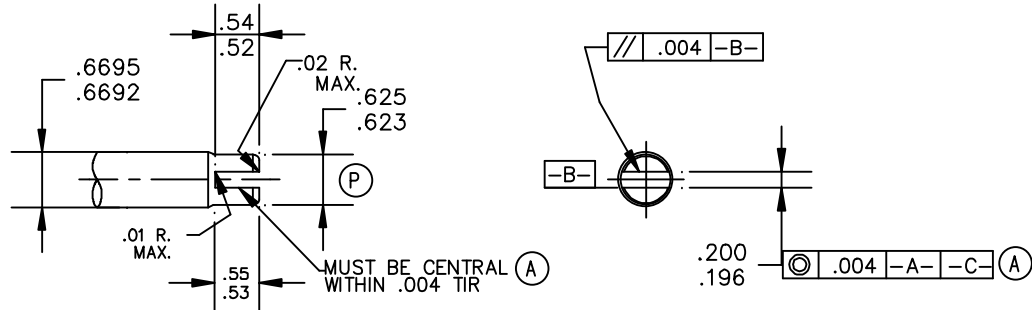
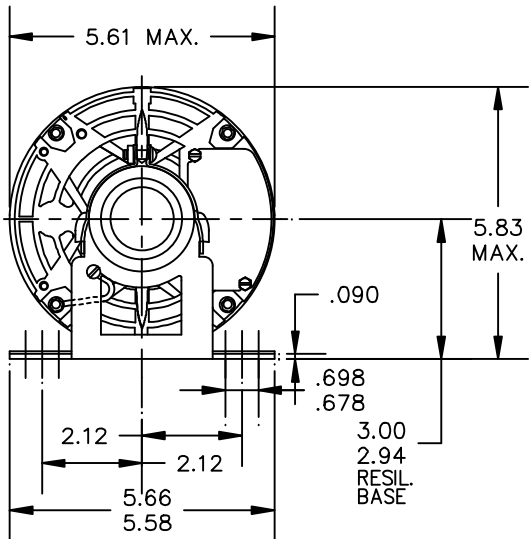
### Technical Specifications

Electrical Type	Split Phase	Starting Method	SM
Poles	4	Rotation	Counterclockwise/Clockwise
Mounting	Resilient Base	Motor Orientation	ANY
Drive End Bearing	BALL	Opp Drive End Bearing	Ball
Frame Material	Rolled Steel	Overall Length	7.94 in
Frame Length	5.41 in	Shaft Diameter	0.630 in
Shaft Extension	0.17 in		
Outline Drawing	52A111767P2	Connection Drawing	52A105383AA

This is an uncontrolled document once printed or downloaded and is subject to change without notice. Date Created:03/11/2020



VIEW SHOWING  
P.E.  
VENTILATION  
OPENINGS



CONTROL SURFACES & DIMENSIONS  
(P) PROC.  
(E) ENG.  
(A) APPL.  
(R) REG.

6	KH	38	48Y	9.75	5.60	4.28
5	KH	37	48Y	9.15	5.01	4.28
4	KH	36	48Y	8.75	4.61	4.28
3	KH	35	48Y	8.32	4.18	4.28
2	KH	33	48Y	7.94	3.80	4.28
1	KH	32	48Y	7.69	3.55	4.28
P	TYPE	RBC SIZE	NEMA FR	C	L	M

				TOLERANCES UNLESS SPECIFIED			DRAWNMADHU 02/02/07			
				DEC.	INCHES		CHK			
				.X	±0.1		APPD DURGA 02/02/07			
02	CHG GD LD FROM 4.30 TO 7.30 PER IS11-0510 & REDRAWN IN DRAFT SIGHT	PVR 09/24/12	PKG	.XX	±0.02		SCALE 1=1			
01	UPDATED PER IS07-0144	MAD 02/20/07		.XXX	±0.005		REF			
				.XXXX	±0.0005		FMF			
NO.	REVISION	BY & DATE	CHK	ANG	±1.0		PREV			
THIS DRAWING IN DESIGN AND DETAIL IS OUR PROPERTY AND MUST NOT BE USED EXCEPT IN CONNECTION WITH OUR WORK ALL RIGHTS OF DESIGN AND INVENTION ARE RESERVED THIS IS AN ELECTRONICALLY GENERATED DOCUMENT - DO NOT SCALE THIS PRINT				RFP	CAD FILE 52A111767		SIZE	DRAWING NO.		REV.
				DIST			A	52A111767		02



REGAL-BELOIT CORPORATION

TITLE  
OUTLINE  
CARBONATOR PUMP - DRIP PROOF - RESIL. BASE

EITHER ROTATION, DUAL VOLTAGE, TYPE KC OR KH, WITH THERMAL PROTECTION



NOTE #1 - START CAP & J9 WHEN SPECIFIED (\*). IF NO CAPACITOR (KH), CONNECT T5 DIRECTLY TO SWITCH (A). WHEN MORE THAN ONE CAPACITOR IS USED, CONNECT IN PARALLEL.

NOTE #2 - TO REVERSE ROTATION, INTER CHANGE RD(T8) AND BLK(J9-KC OR T5-KH) LEADS.

SWITCH REF. - 115D958AB	CONNECTION LABEL	CCW ROTATION: NP52X332051AA
		CW ROTATION: NP52X332051AC

NO.	REVISION	BY & DATE	CHK	TOLERANCES UNLESS SPECIFIED		FINISH	DRAWN	M.D.P	DATE			
				DEC.	INCHES							
				.X	±0.1				06/29/87			
				.XX	±0.02							
5	ADDED CONNECTION LABEL PER ECO-0030779	UD 02/06/13	PKG	.XXX	±0.005							
4	UPDATED PER ISO7-0150	MD 01/23/07		.XXXX	±0.0005	MAT'L.						
				ANG	±1.0							
THIS DRAWING IN DESIGN AND DETAIL IS OUR PROPERTY AND MUST NOT BE USED EXCEPT IN CONNECTION WITH OUR WORK. ALL RIGHTS OF DESIGN AND INVENTION ARE RESERVED. THIS IS AN ELECTRONICALLY GENERATED DOCUMENT - DO NOT SCALE THIS PRINT							RFP	CAD FILE	52A105383AA	SIZE	DRAWING NO.	REV.
							DIST			A	52A105383AA	5



TITLE CONNECTION DIAGRAM  
30 FRAME SWITCH REDESIGN